

DESCRIPTION AND MAINTENANCE INSTRUCTIONS**ADDITIONAL ASH TRAYS**

INFORMATION

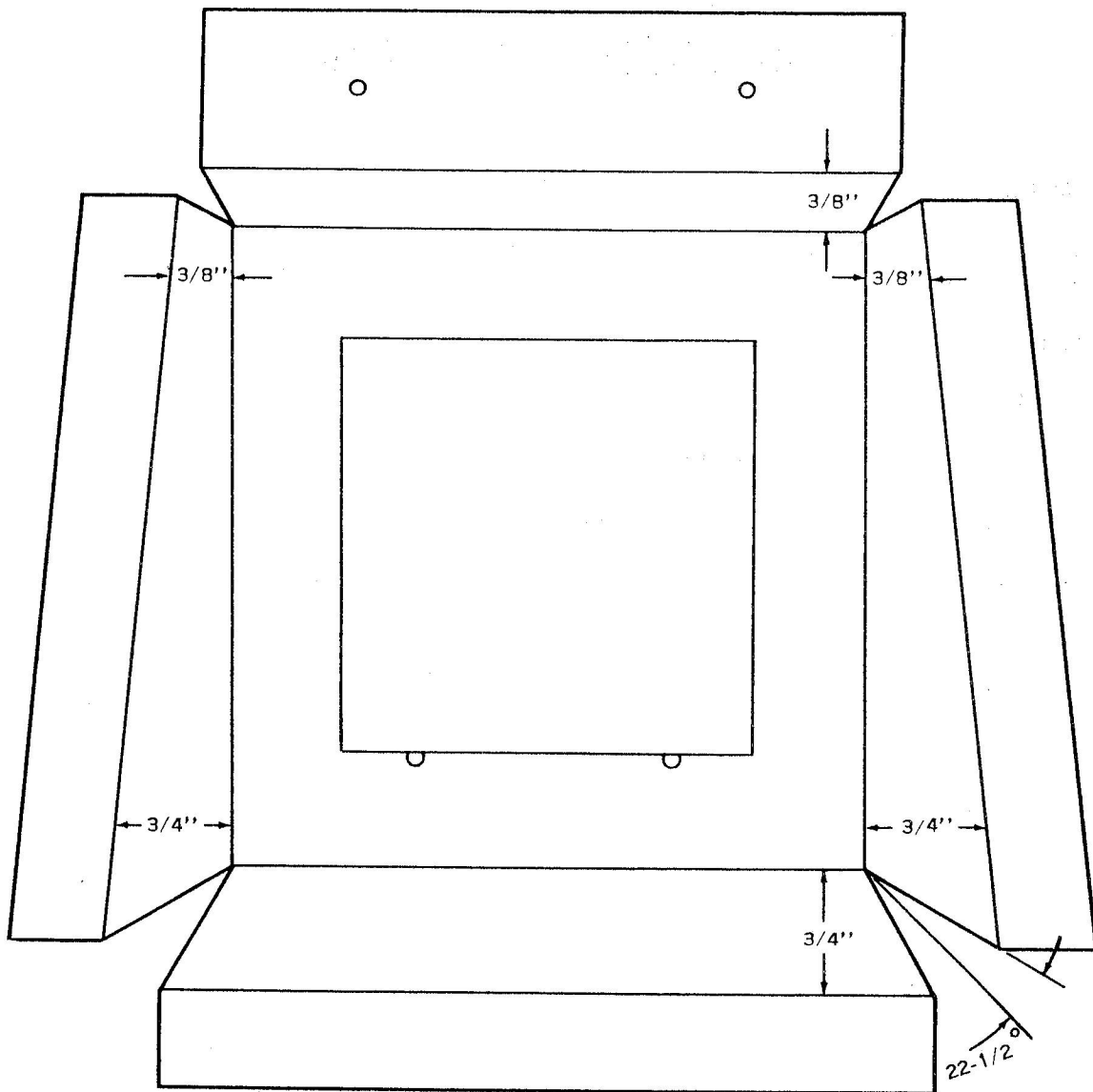
1 Additional ash trays may be required in certain Expeditor Mark. Units are authorized to locally manufacture and install the necessary brackets as detailed if this requirement exists.

INSTRUCTIONS

2 Installation is accomplished as follows:

- (a) Demand Tray Ash Part 27H/553.
- (b) Locally manufacture brackets as specified in Figures 1 and 2.
- (c) Install brackets in a centrally located position for each seat requiring an ash tray.

ASHTRAY BRACKET



ALUM. .064" 2S 1/2 H

Figure 1

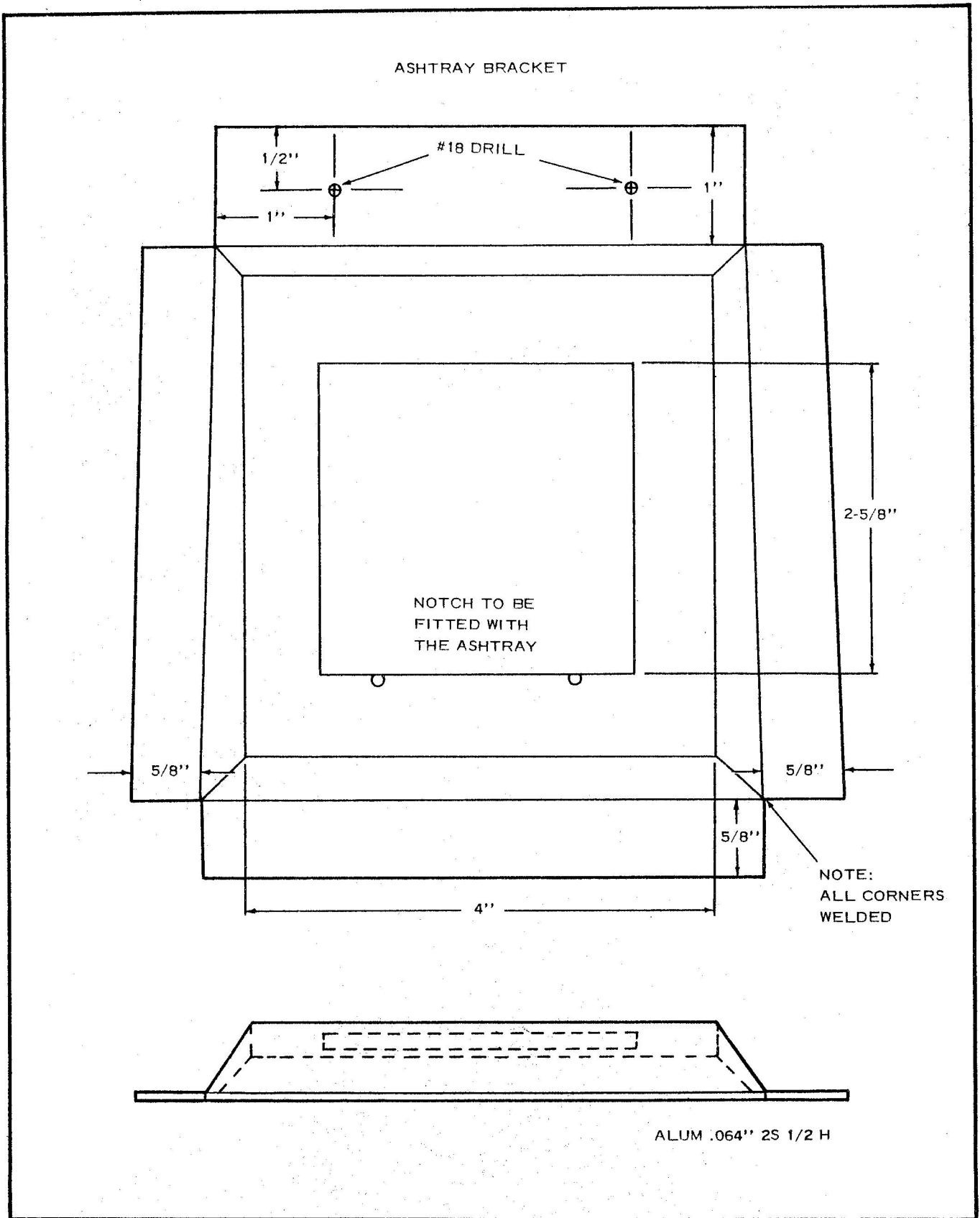


Figure 2

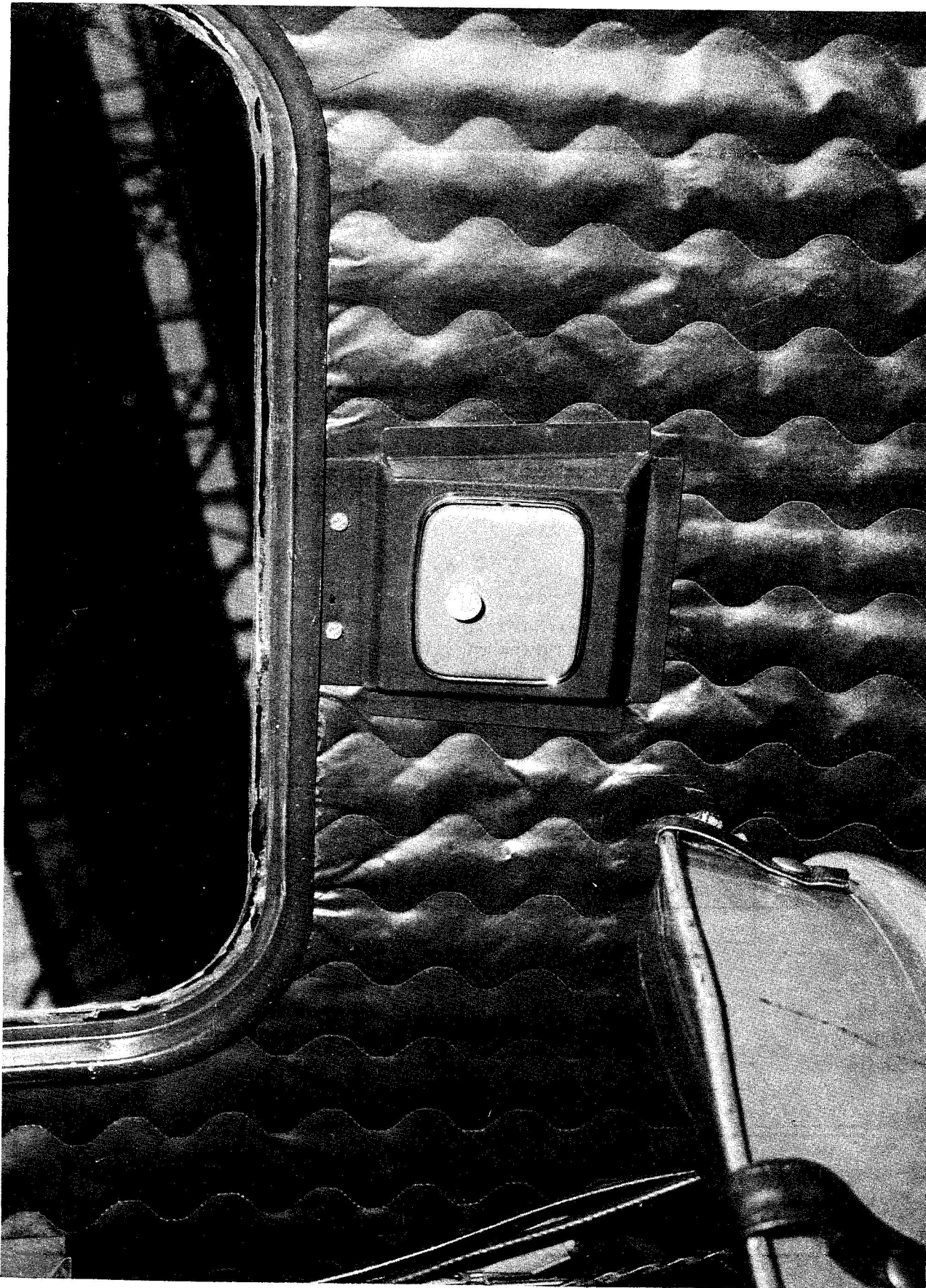


Figure 3